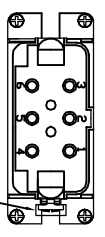
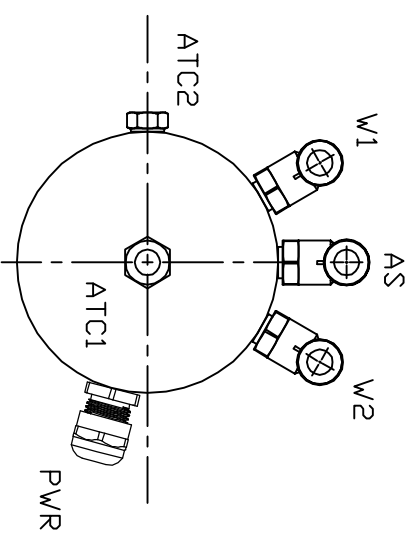


Taper Size
 Speed
 Rotation
 Bearings Lubrication
 Vibration Level
 Spindle Weight
 Spindle Clamping Force
 Spindle Cooling

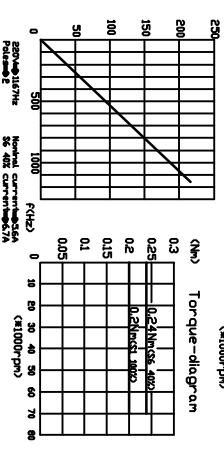
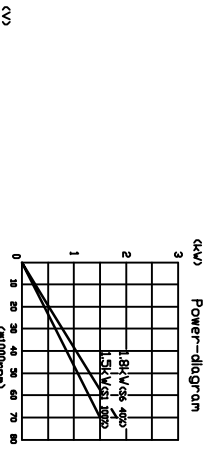
VT-5 (66mm)
 70000 rpm
 Right
 Grease
 ISD 1940 G1
 3.6 kg
 Liquid

W1 Spindle cooling in
 W2 Spindle cooling out
 AS Air Seal(Air purge)
 ATC1 ATC air in
 ATC2 ATC air out
 PWR Electrical connection
 Inner taper run out

PT1/8
 PT1/8
 PT1/8, >6-7 kgf/cm²
 < 2μ



Phase U White 1
 Phase V Red 2
 Phase W Black 3
 Temp Protection Blue 4
 Temp Protection Blue 5
 Temp Protection Blue 6



Surface Texture Symbol	Tolerance Zone		Project	Change Content	Date	Name	Drawing Number B45710000001	Spindle Confirmation Chart	Designed James
	Size Range	IT 12 Grade							
▽▽▽▽	0.01a~0.2a	6~30	±0.1	△			Model THZ-62.0570HH424	Checked Liao	Date 18-11-23
▽▽▽	0.25a~1.6a	30~100	±0.15	△			Material	Quantity 1	Scale 1 : 1
▽▽	2.0a~6.3a	100~300	±0.2	△			Surface Treatment	Unit mm	Page 1 / 1
▽	8.0a~25a	300~1000	±0.3	△			Projection	Page 1 / 1	Edition 01
▽	32a~125a	1000~3000	±0.5	△					

鈞達精密股份有限公司
 The.ta Precision Co., Ltd